

Assembly instructions

Push to slide

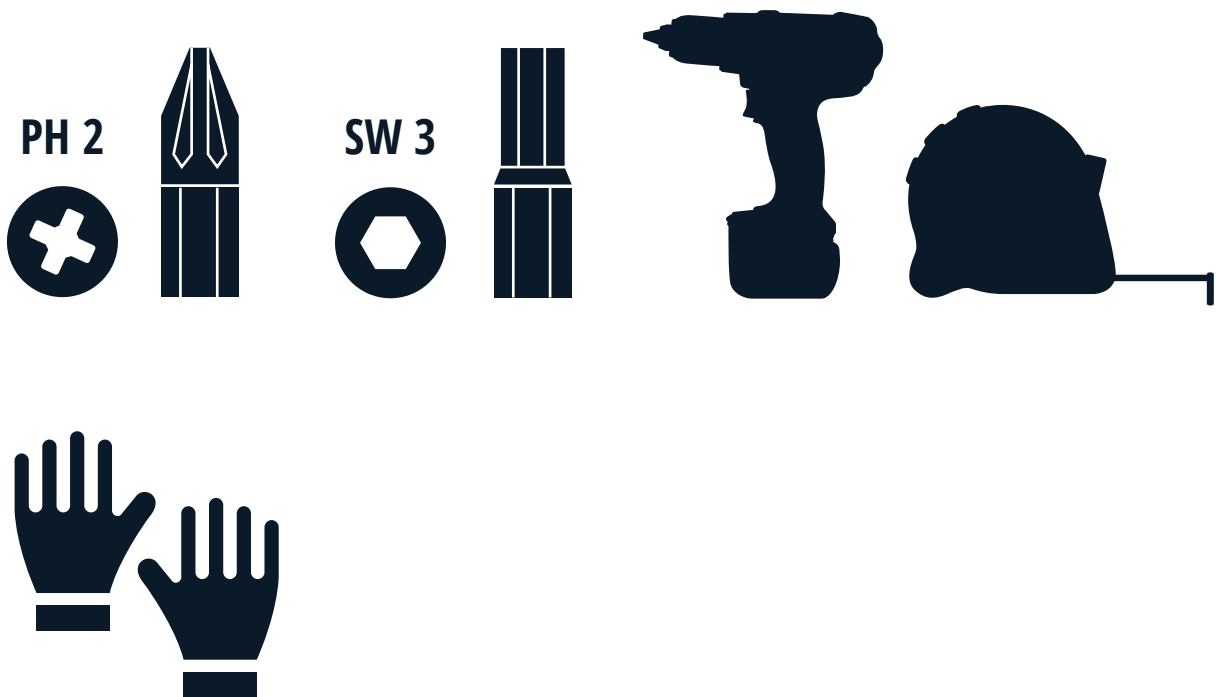
CAVIS & BELPORT

Safety instructions	3
Required tools	3
Scope of delivery	4
Removing a rail	5
Installation	6 - 7
Installing a rail	7

Safety instructions

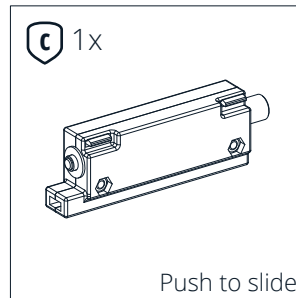
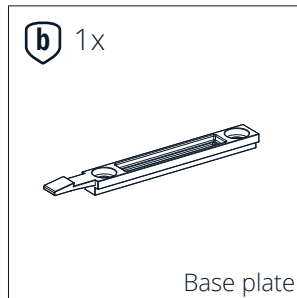
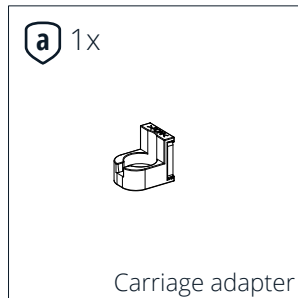
Before installation, please read the instructions carefully. If you have difficulties in understanding the instructions please contact your customer service or your supplier. To assemble the product correctly, please use the tools as indicated on the following page. As some edges may be sharp we recommend you to wear gloves to protect your hands and cover all working surfaces to prevent them from being damaged. Use the correct lifting and carrying techniques during installation. All items have been checked prior to delivery by "Wingburg". "Wingburg" does not accept any liability for damage that occurs during installation or transportation.

Required tools

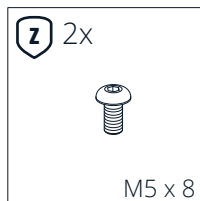


SCOPE OF DELIVERY | PUSH TO SLIDE

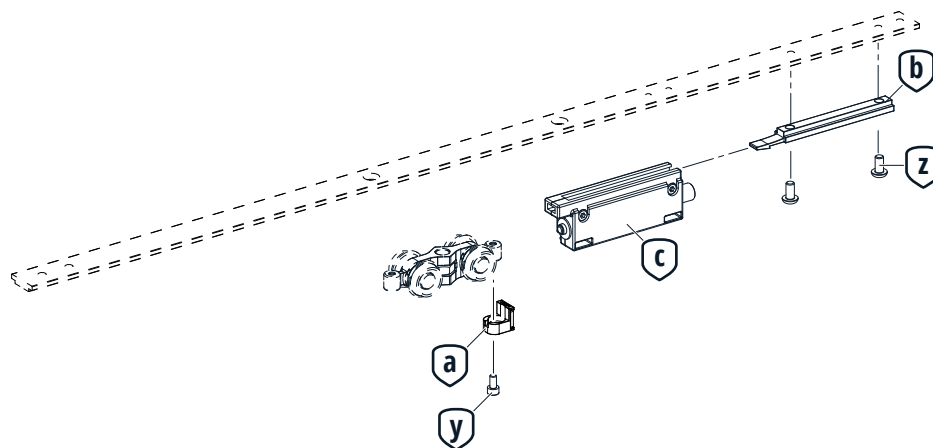
Components



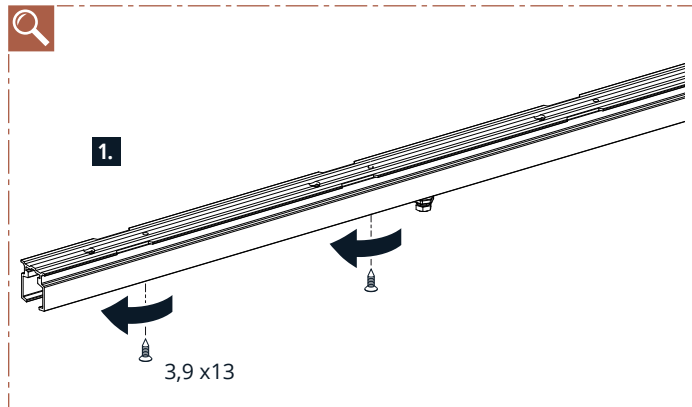
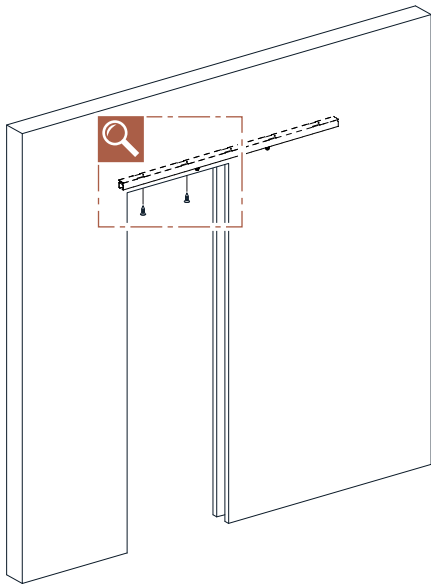
Standard parts



Overview of components

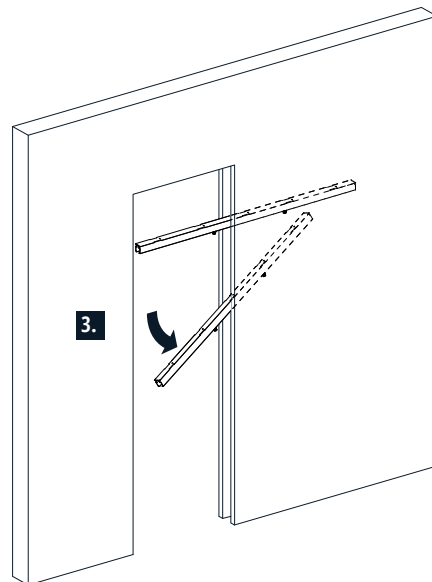
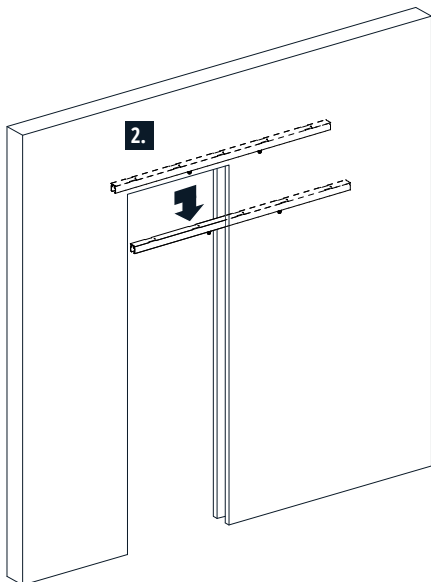


1.

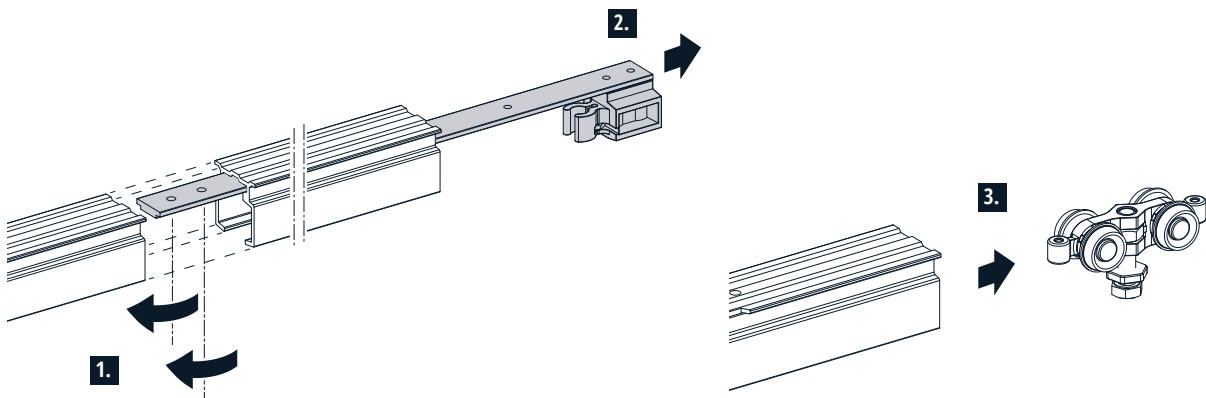


i

Keep screws safe and reuse later!

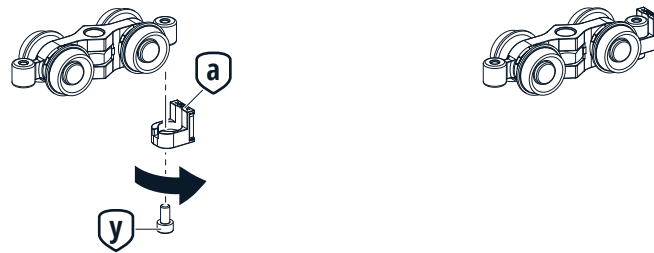


2.

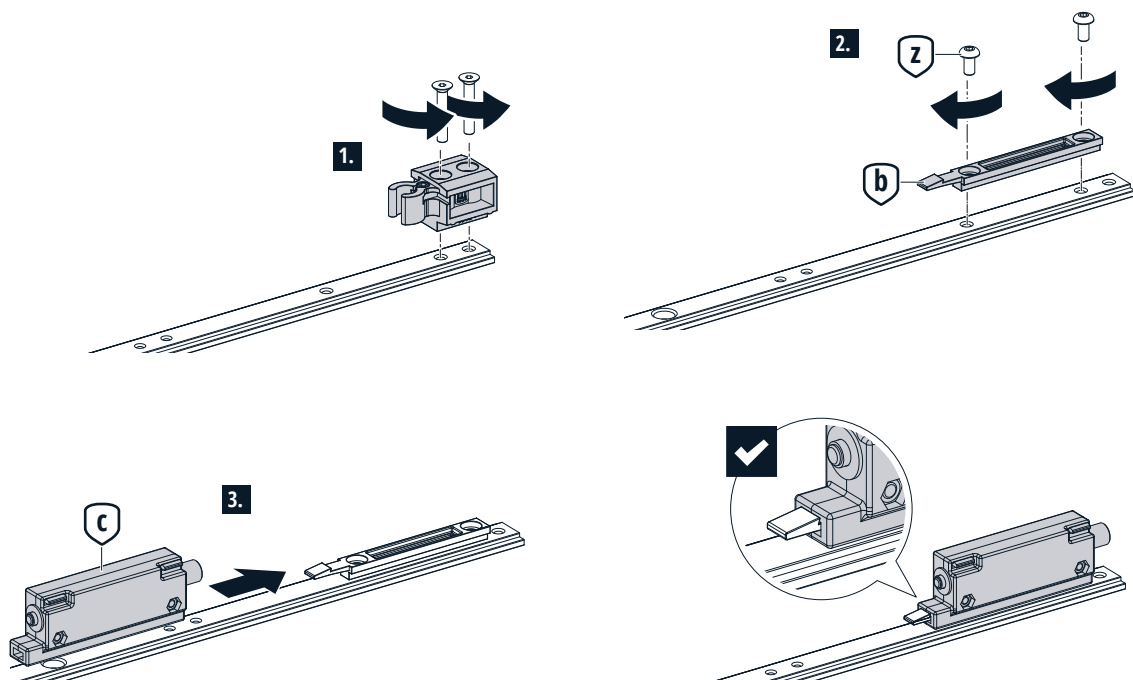


ASSEMBLY | PUSH TO SLIDE

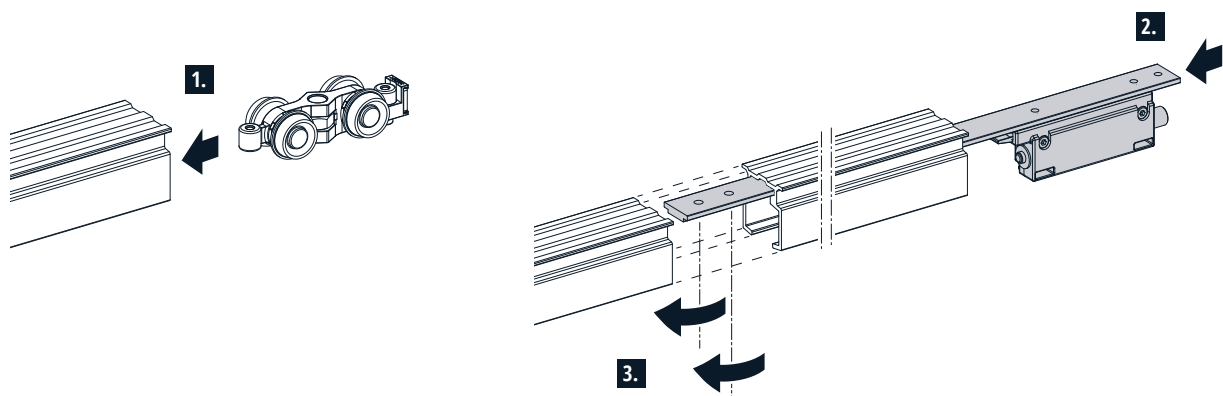
3.



4.

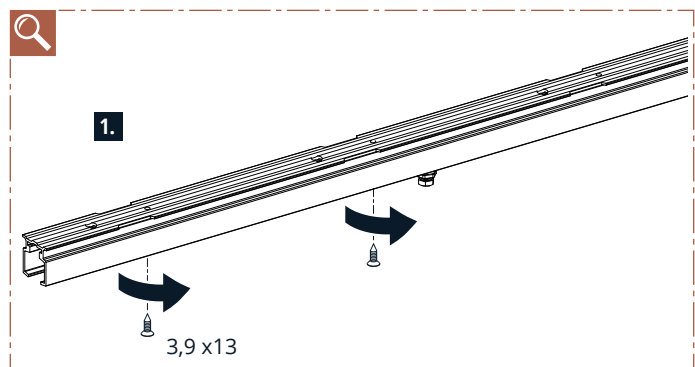
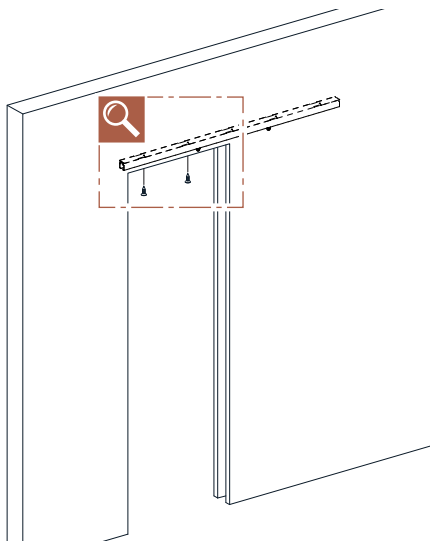
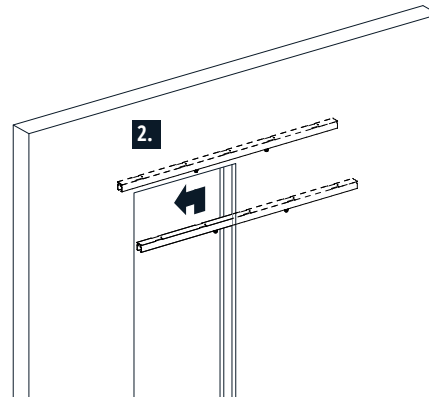
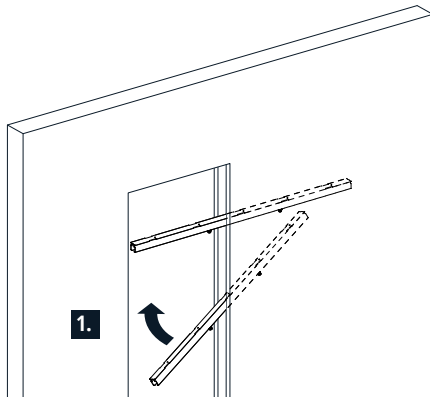


5.



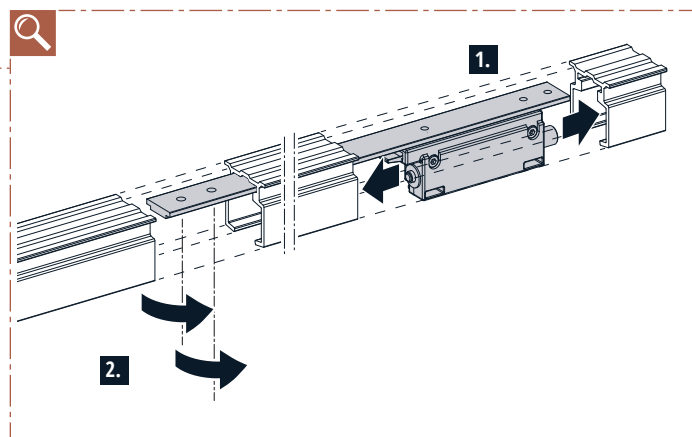
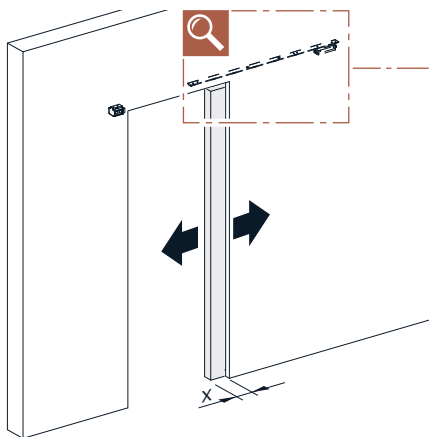
! Using a push to slide element causes the dimensions of the rear door connection to change.
Observe the installation instructions for the respective fitting set!

6.



! Mount all of the screws removed in step 1!
Insert components into the rail if they cover the threads!

7.





WINGBURG

 **+49.5257.94792-0**
 **info@wingburg.de**
 **www.wingburg.de**